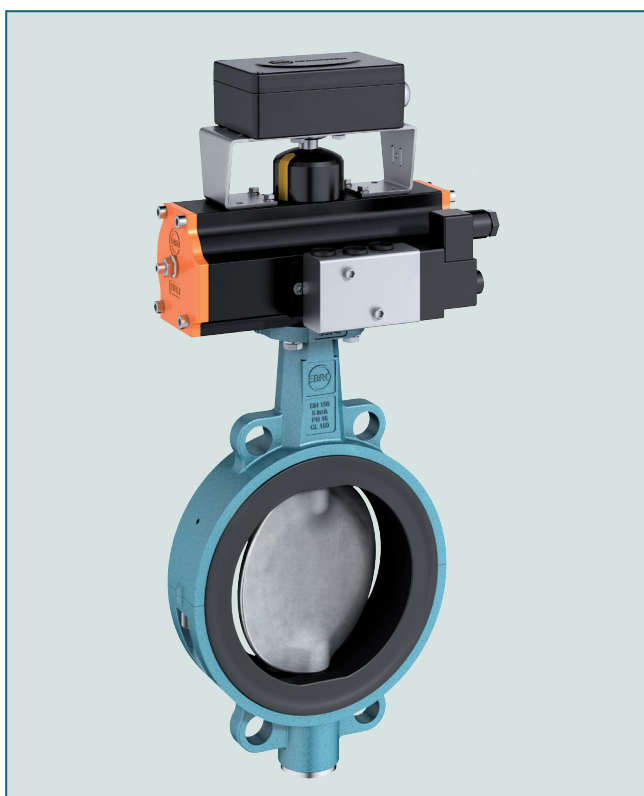


WAFER TYPE BUTTERFLY VALVE Z 611-A



Resilient seated wafer type butterfly valve for semi-corrosive media.

TECHNICAL DATA

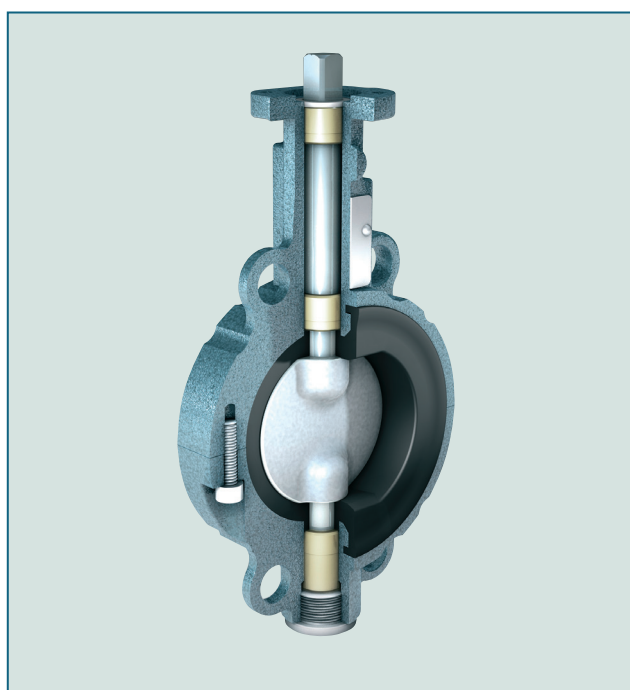
Nominal diameter:	DN 50 - DN 300
Face-to-face:	EN 558 Series 20 ISO 5752 Series 20 API 609 Table 1
Flange accommodation:	EN 1092 PN 10/16 ASME Class 150
Flange surface design:	EN 1092 Form A/B ASME RF, FF
Top flange:	EN ISO 5211
Marking:	EN 19
Tightness check:	DIN EN 12266 (Leakage rate A) ISO 5208, Category 3
Temperature range:	-10°C to +200°C (depending on pressure, medium and material)
Operating pressure:	max. 10 bar

FEATURES

- One piece disc/shaft
- Split body with stainless steel screws
- Insulation height as per plant regulations
- Optional: Special design RWTÜV certified to TA-Air/ VDI 2440
- Triple shaft bearing
- Disc's sealing surface mirror polished
- Materials complying with FDA standards available
- Can be disassembled, material-specific recycling possible

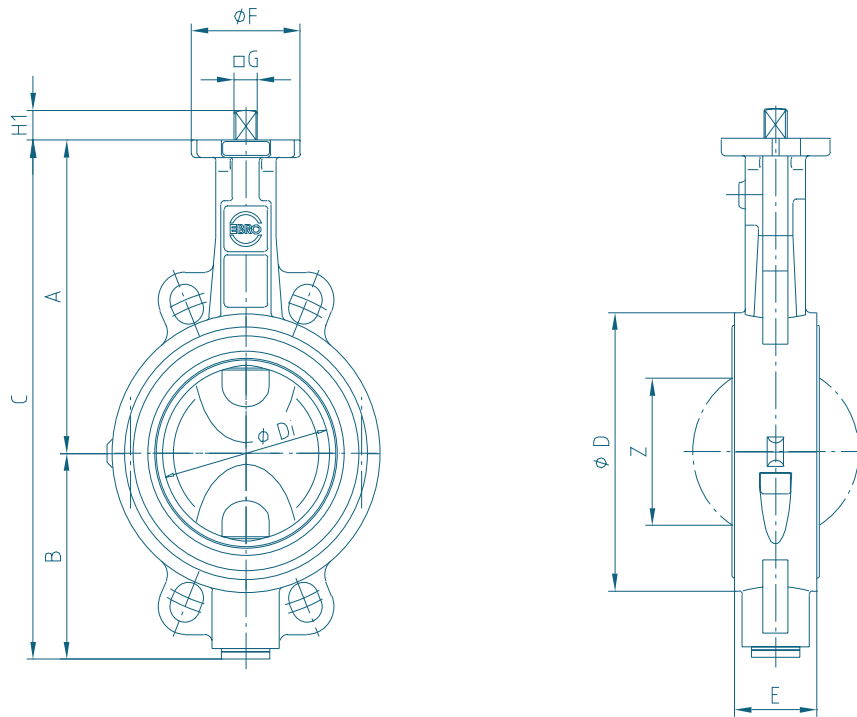
GENERAL APPLICATIONS

- Food and beverage industry
- Purification plants
- Pharmaceutical industry
- Chemical and petrochemical industry
- Water and waste water industry
- Pneumatic materials handling technology
- Shipbuilding
- Power plants
- Civil engineering
- For paint and lacquers a silicone-free version is available



The split body design allows quick and easy maintenance.

WAFER TYPE BUTTERFLY VALVE Z 611-A



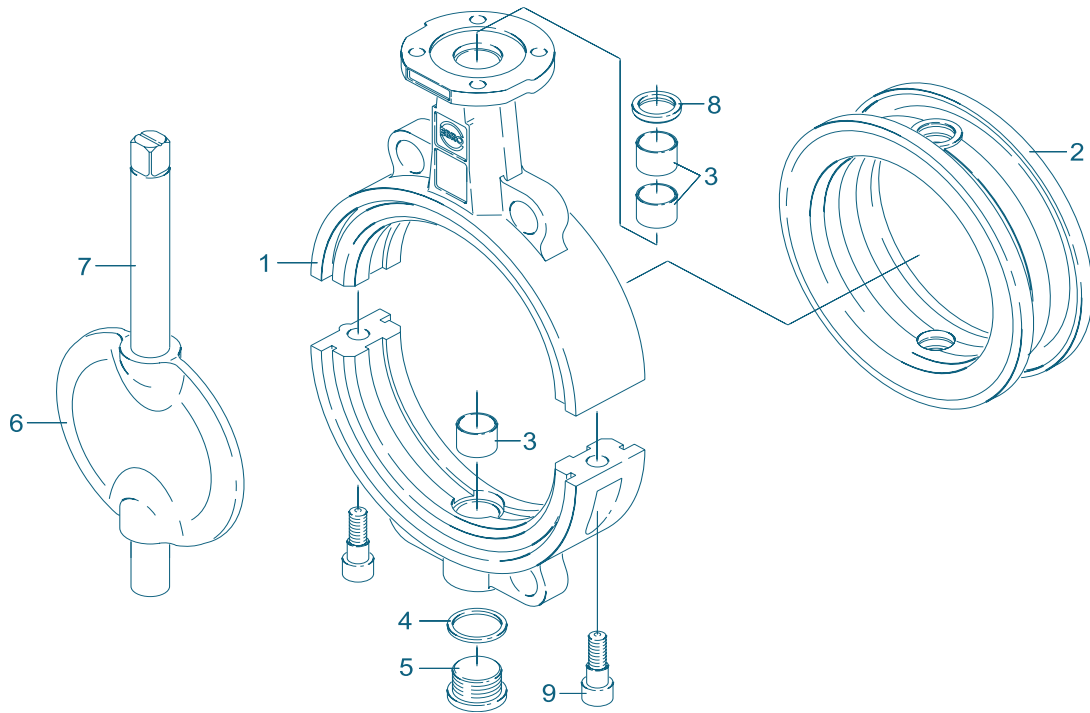
Z 611-A with bare shafts end acc. to EN ISO 5211

DN [mm]	Size [in]	Dimensions [mm]											Weight [kg]	
		A	B	C	D	Di	E	F	Flange	G	H1	H2		Z
50	2	126	84	210	112	49	43	54	F04	11	13,5	19	25	2,2
65	2½	134	93	227	120	64	46	54	F04	11	13,5	19	45	2,9
80	3	157	104	261	138	79	46	65	F05	14	17	25	64	4,0
100	4	167	115	282	160	99	52	65	F05	14	17	25	84	5,2
125	5	180	127	307	190	124	56	65	F05	14	17	25	110	6,9
150	6	203	150	353	215	149	56	88	F07	17	20	30	138	9,5
200	8	228	176	404	269	199	60	88	F07	17	20	30	189	13,2
250	10	266	212	478	324	249	68	125	F10	22	23,5	39	239	22,5
300	12	291	237	528	374	297	78	125	F10	22	23,5	39	286	31,5

Subject to change without notice

WAFER TYPE BUTTERFLY VALVE Z 611-A

MATERIAL SPECIFICATION AND PARTS LIST



Pt.	Description	Material	Material No.	ASTM	Pt.	Description	Material	Material No.	ASTM
1	Body				5	Plug screw DIN 908			
	Nodular cast iron	EN-JS 1030	GGG 40	60-40-18		Stainless Steel	G-X5CrNiMo19-11-2	1.4408	CF8M
2	Seat				6/7	Shaft/Disc one piece			
	NBR	Acrylonitrile butadiene rubber				Stainless Steel	G-X2CrNiMoN26-7-4	1.4469	A 995
	EPDM	Ethylene propylene caoutchouc			8	Wiper ring			
	CSM	Chlorsulphonated polyethylene				PTFE	Polytetrafluorethylene	PTFE	PTFE
	FPM	Fluorocarbon caoutchouc			9	Screw			
	VSI	Silicone rubber				Stainless Steel	A4-70	1.4401	B8M
	SBR-green	Polyurethane elastomer							
3	Bearing bush								
	Brass	MS 58	2.0401	B 45					
4	Seal DIN 7603								
	Copper	Cu		Copper					

Above-mentioned materials of the basic version, other materials upon request

Subject to change without notice

WAFER TYPE BUTTERFLY VALVE Z 611-A

TORQUE

- The torque values specified (Md) are based on liquid and lubricant media
- Powdery (non-lubricant) media Md x 1,3
- Dry gases/high viscous media Md x 1,2
- The values specified are based on the initial breakaway torque
- Dynamic torque specification available upon request

Regarding the dimensioning of actuators, please contact our engineers.

DN [mm]	50	65	80	100	125	150	200	250	300
Size [in]	2	2½	3	4	5	6	8	10	12
MD [Nm]	7	15	18	28	45	110	140	200	280

K_V-VALUES

- The K_V-value [m³ per hour] is the flow of water at a temperature of 5°C to 30°C (41°F to 86°F) at Δp of 1 bar
- The K_V-values specified are based on tests carried out by the Delfter Hydraulics Laboratories, the Netherlands
- Permissible velocity of flow
V_{max} 4,5 m/s for liquids,
V_{max} 70 m/s for gases
- The throttle function is linear at an angle 30° to 70°
- Avoid cavitation

For further values, please contact our engineers.

DN [mm]	Size [in]	Opening angle α°							
		20°	30°	40°	50°	60°	70°	80°	90°
50	2	1,2	8	13	22	38	50	65	85
65	2½	2	9	22	42	77	115	170	215
80	3	8	24	50	95	150	240	330	420
100	4	13	28	65	130	180	340	550	800
125	5	26	65	130	230	350	530	870	1010
150	6	35	90	200	360	640	900	1350	2100
200	8	43	180	350	580	1000	1600	3000	4000
250	10	125	360	660	1100	1800	3100	5300	6400
300	12	200	550	1000	1600	2600	5000	7500	8500

Subject to change without notice